



Via Pennea 8
 Zona Industriale ASI
 03024 CEPRANO (FR) – Italy
 Phone : + 39 0775 918056 -
 918345
 Fax : +39 0775 261903
 Email : info@tecno-print.com
 Web : www.tecno-print.com



SECOND HAND MACHINERY- REF. 572

FLEXO PRINTING PRESS MODEL BLEND A Stack – UTECO make

1.	Year of manufacturing	1997
2.	Number of printing unit stations	6
3.	Max. printing width	1500 mm.
4.	Max. materials width	1550 mm.
5.	Printing repeat	Min. 340 mm. – max. 1300 mm.
6.	Accessories	Number 4 printing units are complete with new pneumatically expansible cliché holding shaft; Number 2 printing units are equipped with 2 anilox rollers Which require to be revised and do not have the pneumatically expanding shafts.
7.	Machine configuration	Printing section only (unwinder and rewinder excluded)

SALES PRICE : PLS ASK

EX PLANT AS IT IS C/O TECNO PRINT SRL

Delivery date : 4 months from order and payment .

Plant is sold - ex Tecno Print plant unloaded /dismantled and ready for loading

This is a net price , i.e.: it does not include transport , commissioning and assembly or any other kind of costs.

Location : Italy

Payment : complete before loading .

Loading onto trucks and/or lorries : excluded from the above price

PHOTO GALLERY OF THE MACHINE

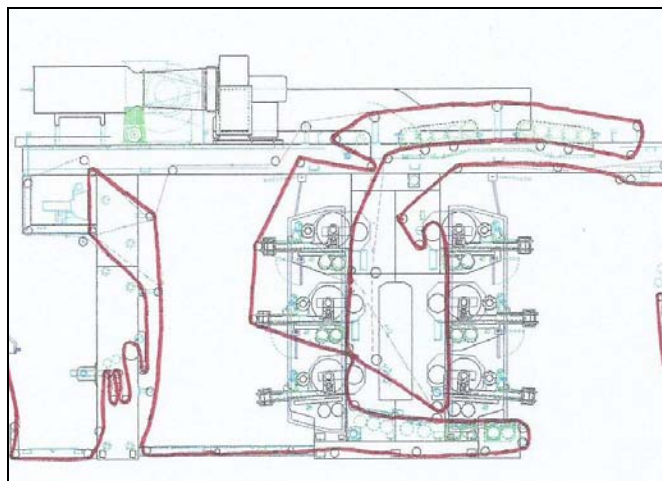




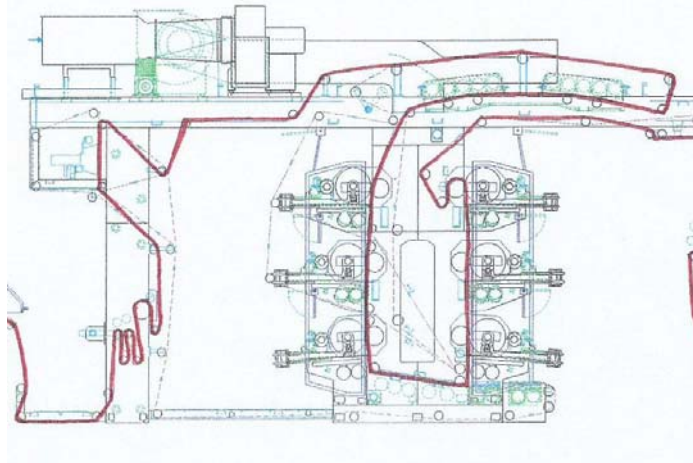
Via Pennea 8
Zona Industriale ASI
03024 CEPRANO (FR) – Italy
Phone : + 39 0775 918056 -
918345
Fax : +39 0775 261903
Email : info@tecno-print.com
Web : www.tecno-print.com



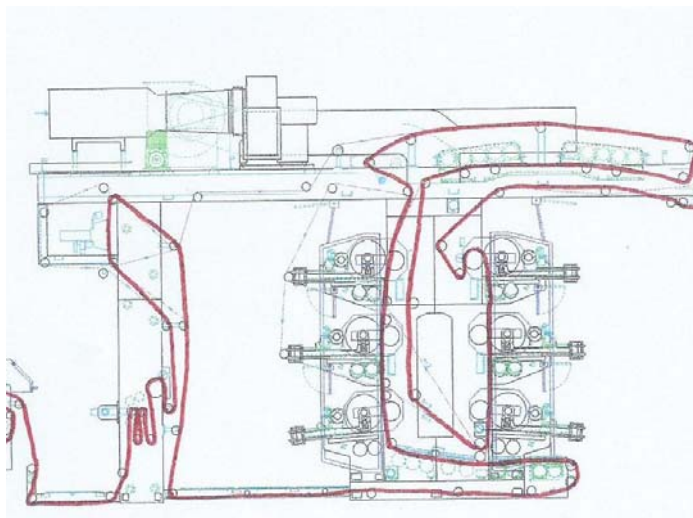
PRINTING COMBINATIONS



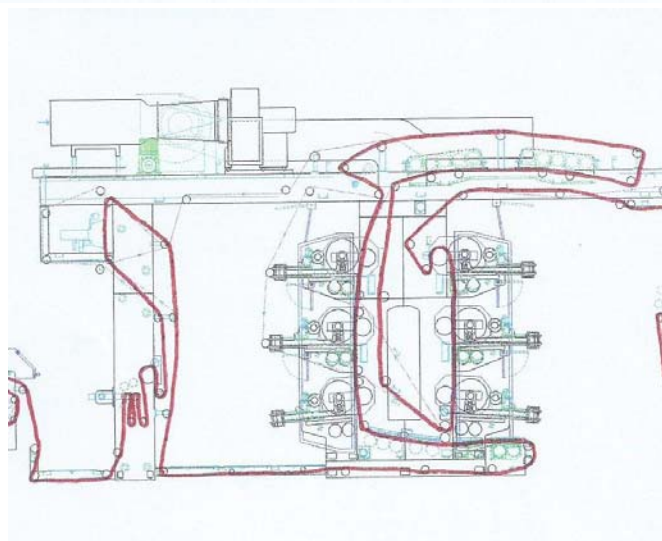
5+1



4 + 2



6 + 0



3 + 3